

## Description

The ISL9000EV2 board is designed for customers' use in exploring the operation of the ISL9000 Low Dropout Regulator IC (LDO). In this capacity, it provides an easy to use platform for testing most of the datasheet specifications and functionalities. It is designed to show the small space required for all the components, while providing room to access the signals.

The layout is intended to minimize thermal effects, to better evaluate current limits and voltage regulation accuracy. In an actual implementation, the area for heat sinking may be smaller, so thermal effects may make the operation slightly different.

The ISL9000EV2 board constitutes a complete dual voltage regulator solution. The PCB board is 2 inches by 3 inches, however, the actual charger components easily fit within a 0.9 x 1.6 cm area (components on one side), demonstrating the space saving advantage of the ISL9000 in limited space applications.

A voltage source can be connected to the two pin connector (J2, default) or to the banana jacks (not populated). For monitoring the output, test instruments can be connected to the five pin connector (J13, default) or to the banana jacks or scope probe jacks (not populated). Additional test points provide a convenient way to monitor the POR outputs and the signal on the bypass capacitor. This can be especially important when testing the LDO in a temperature chamber. Several ground pins provide reference points for test leads. Additional "kelvin" test points are provided for VIN, VO1, VO2, and GND to monitor the actual performance of the IC. This removes the voltage drops across the PCB traces that occurs at higher currents.

The board has a jumper block for enabling each of the two LDO outputs. A shunt can be placed on J3 or J4 between "ENx" and "LOW" pins to provide a 100kΩ pull down on each EN pin of the device. If J3 or J4 "HI" pins are floating, the respective LDO output will be off, while connecting "HI" to "ENx" will enable the output.

When it is desired that an LDO always be enabled, connect a shunt between "ENx" and "HI" on J3 or J4. In this case the shunt between "ENx" and "LOW" is not needed.

If an external enable signal that drives both high and low is used to enable the LDO outputs, both shunts can be removed from ENx.

A jumper (J10) connects the CPOR input to a 10nF capacitor for POR timing. The jumper can be removed and replaced by a different capacitor to ground for different power on timing requirements.

The board also provides a connector (JP1, not populated) which can connect to a logic analyser/pattern generator for controlling and monitoring the output response. The connector provides both enable inputs and POR outputs.

Finally, a daughter card connector and a jumper (J14 and J9, not populated) allow specially assembled boards containing untrimmed LDOs to be programmed to custom voltage levels after board assembly. This is done at the factory, so no additional information will be provided in this document.

## Ordering Information

| PART NUMBER  | DESCRIPTION                              |
|--------------|--|
| ISL9000NJEV2 | ISL9000NJ Evaluation board [3.3V/2.8V]   |
| ISL9000NFEV2 | ISL9000NF Evaluation board [3.3V/2.5V]   |
| ISL9000KKEV2 | ISL9000KK Evaluation board [2.85V/2.85V] |
| ISL9000KJEV2 | ISL9000KJ Evaluation board [2.85V/2.8V]  |
| ISL9000KFEV2 | ISL9000KF Evaluation board [2.85V/2.5V]  |
| ISL9000JBEV2 | ISL9000JB Evaluation board [2.8V/1.5V]   |
| ISL9000FJEV2 | ISL9000FJ Evaluation board [2.5V/2.8V]   |
| ISL9000KCEV2 | ISL9000KC Evaluation board [2.85V/1.8V]  |
| ISL9000BJEV2 | ISL9000BJ Evaluation board [1.5V/2.8V]   |
| ISL9000PLEV2 | ISL9000PL Evaluation board [1.85V/2.9V]  |
| ISL9000GCEV2 | ISL9000GC Evaluation board [2.7V/1.8V]   |
| ISL9000JCEV2 | ISL9000JC Evaluation board [2.8V/1.8V]   |
| ISL9000JREV2 | ISL9000JR Evaluation board [2.8V/2.6V]   |
| ISL9000JMEV2 | ISL9000JM Evaluation board [2.8V/3.0V]   |
| ISL9000LLEV2 | ISL9000LL Evaluation board [2.9V/2.9V]   |
| ISL9000MMEV2 | ISL9000MM Evaluation board [3.0V/3.0V]   |

## Features

- Complete dual low dropout regulator (LDO)
- Easy to use board for evaluation of the LDO in a target application.
- Exposed soldering pads/pins for monitoring VIN, VO1, VO2, POR1, POR2, and CBYP.
- Voltage monitoring using test pins, banana jacks and scope jacks.
- Enable jumpers for each supply, plus jumpered enable pull down resistors.
- The board has options for:
  - Changing the CPOR capacitor
  - Using a logic analyser/pattern generator to monitor enable/POR response.

## What is Inside

The Evaluation Kit contains:

- ISL9000\_\_EV2 Evaluation board
- The ISL9000 Data Sheet
- The ISL9000EV2 Users Guide (this document)

## What is Needed

The following instruments will be needed to perform testing (not provided):

- DC 6.5V/1A Power supply
- Two Digital Voltmeters (4.5 digit or better).
- Oscilloscope
- 2 channel, 0 to 400mA electronic load
- Cables and wires

## Quick Setup Guide

Step 1: Place shunts on J3 between “EN1” and HI”, on J4 between “EN1” and HI”, and on J10 (CPOR). This is the factory default connection.

Step 2: Set the power supply to 3.8V with a 1.0A current limit (then turn off).

Step 3: Connect the power supply between VIN and GND using connector J2.

Step 4: Connect two voltmeter positive leads to the VO1 “kelvin” connector (J13-1, “V1K”) and the VO2 “kelvin” connector (J13-5, “V2K”). The meters can also be connected to the VO power pins J2-2 and J2-4 or the banana jacks, but at higher currents, these won’t reflect the output voltage as accurately as the kelvin connections.

Connect the negative leads to GND J13-3. (To get the best representation of the IC output voltage under all output loading conditions, add a ground terminal to the GNDk pad and connect the meter ground leads there).

Step 5: Connect a third voltmeter to the input. This can be connected to the J2 terminal, but at higher inputs, the V1k terminal will give the most accurate reading of the voltage at the ISL9000 VIN pin.

Step 6: (Optional) Connect an electronic load to one or both of the outputs. For the VO1 output, use the VO1 power connector J2-2 (“V1P”). For the VO2 output, use the VO2 power connector J2-4 (“V2P”).

Step 7: Monitor VO1 and VO2. The voltages should reflect the voltage of the selected part, i.e. the ISL9000NJ EV2 board should have 3.3V and 2.8V outputs. For a complete list of output voltages, see Table 1.

Step 8: Change the loading on each output and monitor the output voltages

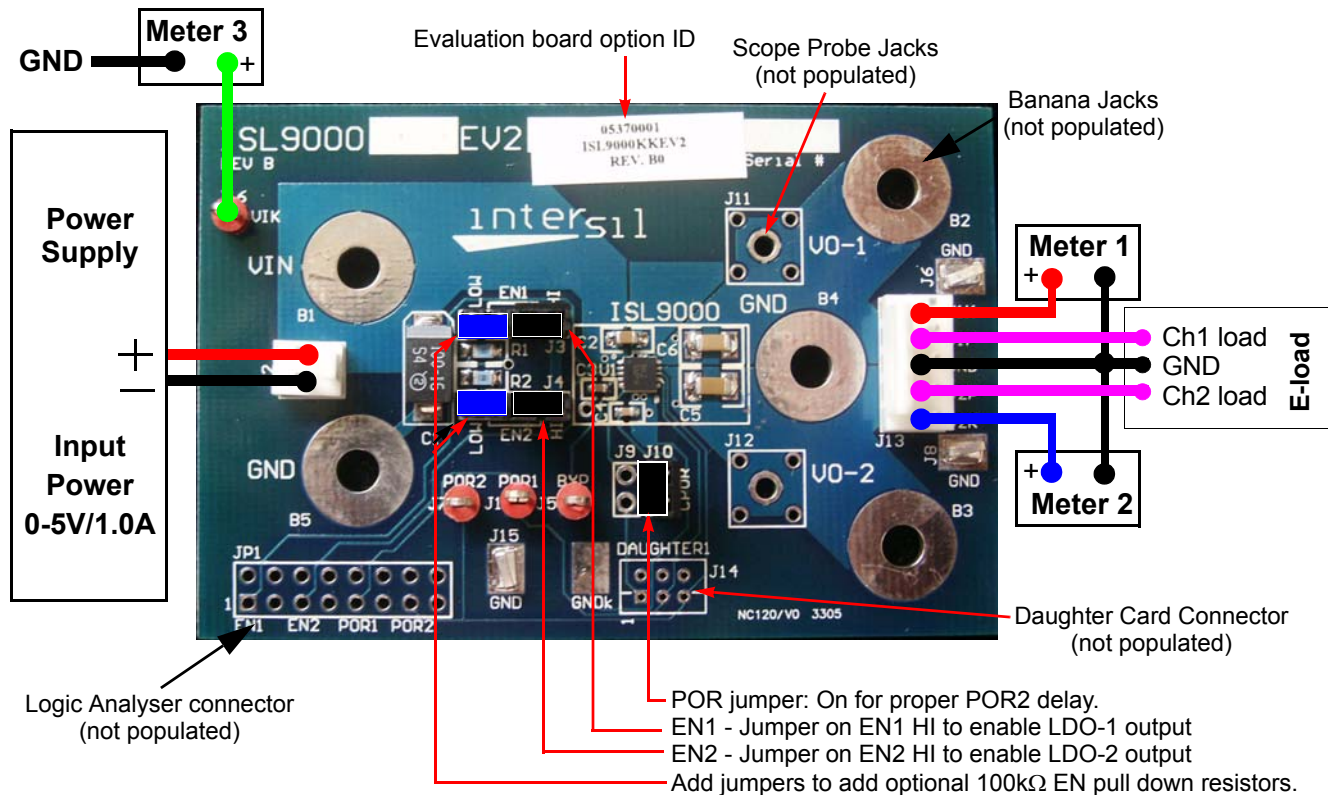


FIGURE 1. BOARD CONNECTION DIAGRAM

# Application Note 1210

Step 9: Change the input voltage and monitor the effect on the output voltages

For additional testing, such as load transient and line transient response, adding the optional scope jacks will improve the measurement, by reducing external noise. The Scope Jack part number is included in the bill of materials as an optional component.

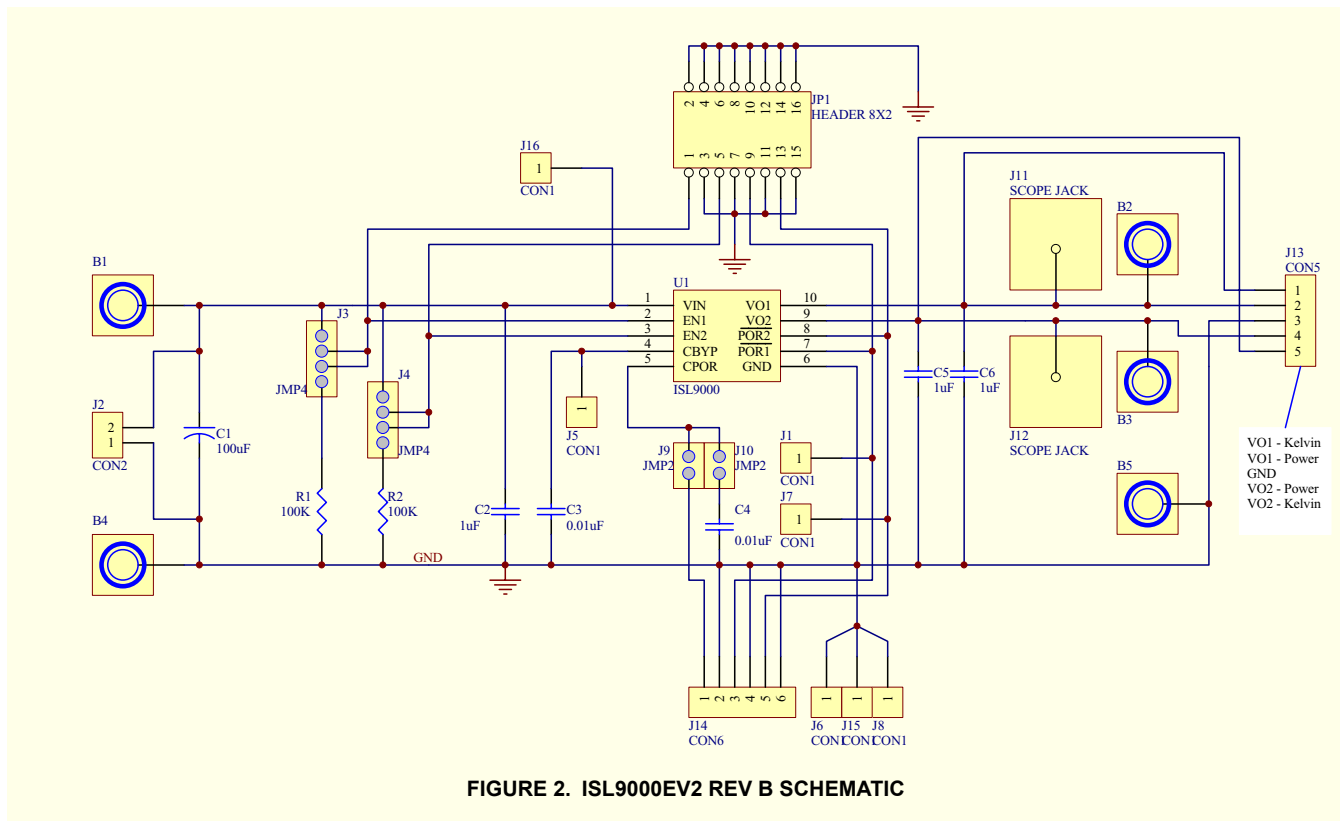
If desired, banana jacks can be added to the board to facilitate connection of the board to test equipment. Part numbers for these optional components are included in the bill of materials.

Improved PSRR and noise specs can be obtained by replacing the 0.01 $\mu$ F (C3) capacitor with a 0.1 $\mu$ F capacitor.

TABLE 1. OUTPUT VOLTAGES

| PART NUMBER  | OUTPUT VOLTAGE 1 |       | OUTPUT VOLTAGE 2 |       |
|--------------|------------------|-------|------------------|-------|
|              | MIN              | MAX   | MIN              | MAX   |
| ISL9000NJEV2 | 3.267            | 3.333 | 2.772            | 2.828 |
| ISL9000NFEV2 | 3.267            | 3.333 | 2.475            | 2.525 |
| ISL9000KKEV2 | 2.821            | 2.879 | 2.821            | 2.879 |
| ISL9000KJEV2 | 2.821            | 2.879 | 2.772            | 2.828 |
| ISL9000KFEV2 | 2.821            | 2.879 | 2.475            | 2.525 |
| ISL9000JBEV2 | 2.772            | 2.828 | 1.485            | 1.515 |
| ISL9000FJEV2 | 2.475            | 2.525 | 2.772            | 2.828 |
| ISL9000KCEV2 | 2.821            | 2.879 | 1.782            | 1.818 |
| ISL9000BJEV2 | 1.485            | 1.515 | 2.772            | 2.828 |
| ISL9000PLEV2 | 1.831            | 1.869 | 2.871            | 2.929 |
| ISL9000GCEV2 | 2.673            | 2.727 | 1.782            | 1.818 |
| ISL9000JCEV2 | 2.772            | 2.828 | 1.782            | 1.818 |
| ISL9000JREV2 | 2.772            | 2.828 | 2.574            | 2.626 |
| ISL9000JMEV2 | 2.772            | 2.828 | 2.970            | 3.030 |
| ISL9000LLEV2 | 2.871            | 2.929 | 2.871            | 2.929 |
| ISL9000MMEV2 | 2.970            | 3.030 | 2.970            | 3.030 |

## Schematic



## Application Note 1210

### Bill of Materials

| ITEM   | QTY | PART TYPE    | DESIGNATOR      | MFR                       | DIGIKEY                | COMMENTS  |
|--|-----|--------------|-----------------|---------------------------|------------------------|---|
| <b>COMPONENTS COMMON TO ALL BOARDS</b>             |     |              |                 |                           |                        |   |
| 1  | 1   | PCB          | PCB             | ISL9000EV2 REV B          |                        |   |
| 2  | 2   | 0.01 $\mu$ F | C3, C4          | AVX: 06035C103KAT2A       | 478-1227-2-ND          | 0603 capacitor  |
| 3  | 1   | 1 $\mu$ F    | C2              | Panasonic: ECJ-2FB1C105K  | PCC2249CT-ND           | 0805 capacitor  |
| 4  | 2   | 1 $\mu$ F    | C5, C6          | Panasonic: ECJ-3YB1E105K  | PCC1893CT-ND           | 1206 or 1210 capacitor  |
| 5  | 2   | 100K         | R1, R2          | Panasonic: ERJ-3EKF-100KV | P100KHCT-ND            | Any 0805 resistor   |
| 6  | 1   | 100 $\mu$ F  | C1              | KEMET: T491D107M016AS     | Digikey: 399-1605-1-ND |   |
| 7  | 4   | CON1         | J1, J5, J7, J16 | Keystone: 5010            | Digikey: 5010K-ND      |   |
| 8  | 3   | CON1         | J6, J8, J15     | Keystone: 5016            | Digikey: 5016KCT-ND    |   |
| 9  | 1   | CON2         | J2              | Molex: 22-23-2021         | Digikey: WM4200-ND     |   |
| 10   | 1   | CON5         | J13             | Molex: 22-23-2051         | Digikey: WM4203-ND     |   |
| 11   | 1   | JMP2         | J10             | Molex: 22-28-4020         | Digikey: WM6402-ND     |   |
| 12   | 2   | JMP4         | J3, J4          | Molex: 22-28-4040         | Digikey: WM6404-ND     |   |
| 13   | 3   | Shunt        |                 | AMP: 382811-8             | Digikey: A26228-ND     | Installed at test - ship 10 to a strip, but only 3 needed/board |
| <b>COMPONENTS SPECIFIC TO EACH BOARD VARIATION</b> |     |              |                 |                           |                        |   |
| 14   | 1   | ISL9000      | U1              | Intersil: ISL9000IR__Z    | *                      | ISL9000__EV2 REV B only   |
| 15   | 1   | Label        | L1              | __Label                   |                        | ISL9000__EV2 REV B only   |
| <b>COMPONENTS OPTIONAL ON EACH BOARD</b>           |     |              |                 |                           |                        |   |
| 16   | 2   | SCOPE JACK   | J11, J12        | Tektronix #131-5031-00    | *                      | Not populated   |
| 17   | 3   | BANANA       | B1, B2, B3      | Keystone: 7006            | 7006K-ND               | Not populated   |
| 18   | 2   | BANANA       | B4, B5          | Keystone: 7007            | 7007K-ND               | Not populated   |
| 19   | 1   | JMP2         | J9              | Molex: 22-28-4020         | Digikey: WM6402-ND     | Not populated   |
| 20   | 1   | CON6         | J14             | HRS: DF11-6DS-2DSA        | Digikey: H2274         | Not populated   |
| 21   | 1   | HEADER 8X2   | JP1             | Molex: 10-88-1161         | Digikey: WM6916-ND     | Not populated   |

All Intersil U.S. products are manufactured, assembled and tested utilizing ISO9000 quality systems. Intersil Corporation's quality certifications can be viewed at [www.intersil.com/design/quality](http://www.intersil.com/design/quality)

*Intersil products are sold by description only. Intersil Corporation reserves the right to make changes in circuit design, software and/or specifications at any time without notice. Accordingly, the reader is cautioned to verify that data sheets are current before placing orders. Information furnished by Intersil is believed to be accurate and reliable. However, no responsibility is assumed by Intersil or its subsidiaries for its use; nor for any infringements of patents or other rights of third parties which may result from its use. No license is granted by implication or otherwise under any patent or patent rights of Intersil or its subsidiaries.*

For information regarding Intersil Corporation and its products, see [www.intersil.com](http://www.intersil.com)